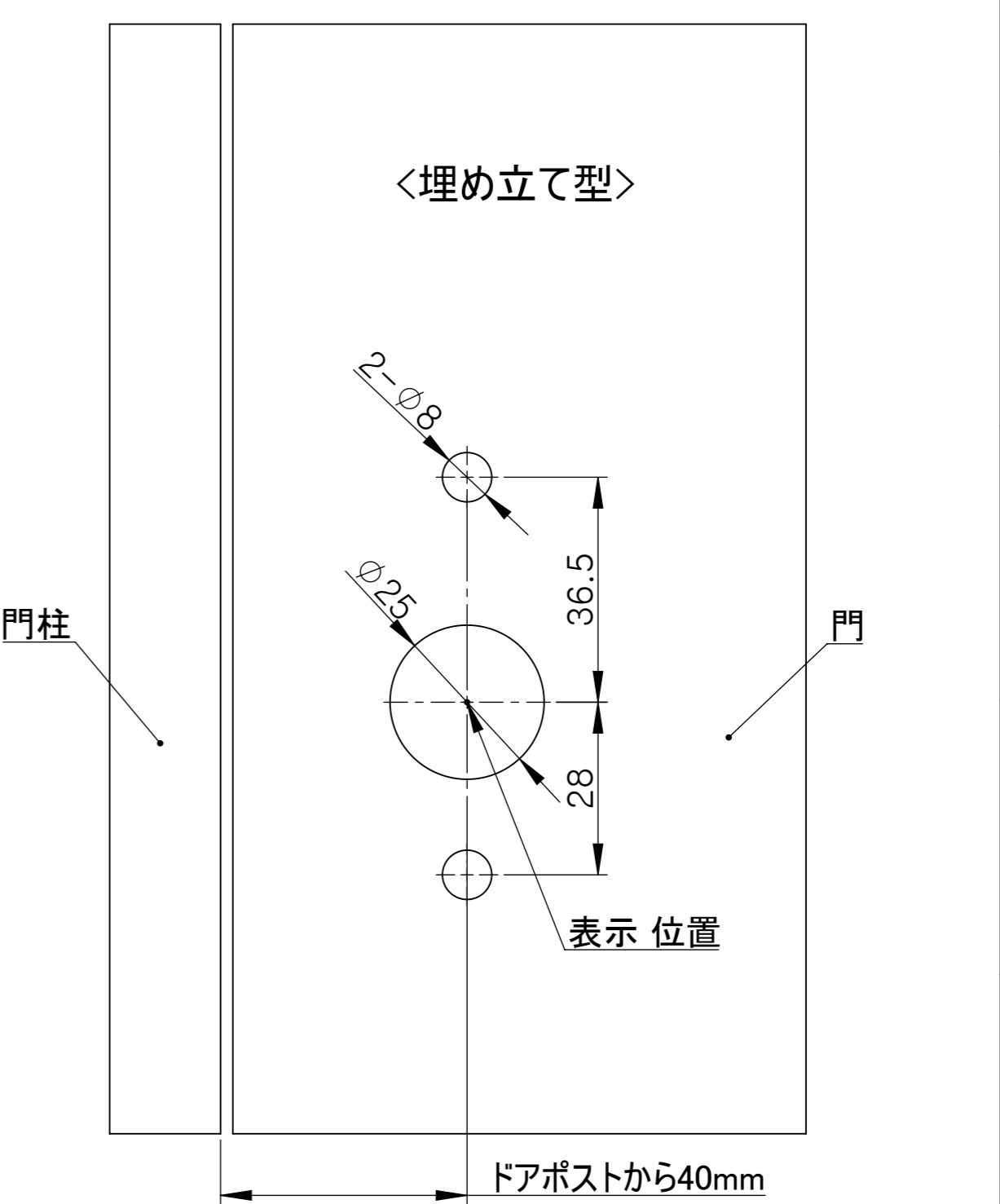


REVISIONS				
ZON	SYM	DESCRIPTION	DATE	APPR
-	-	-	-	-

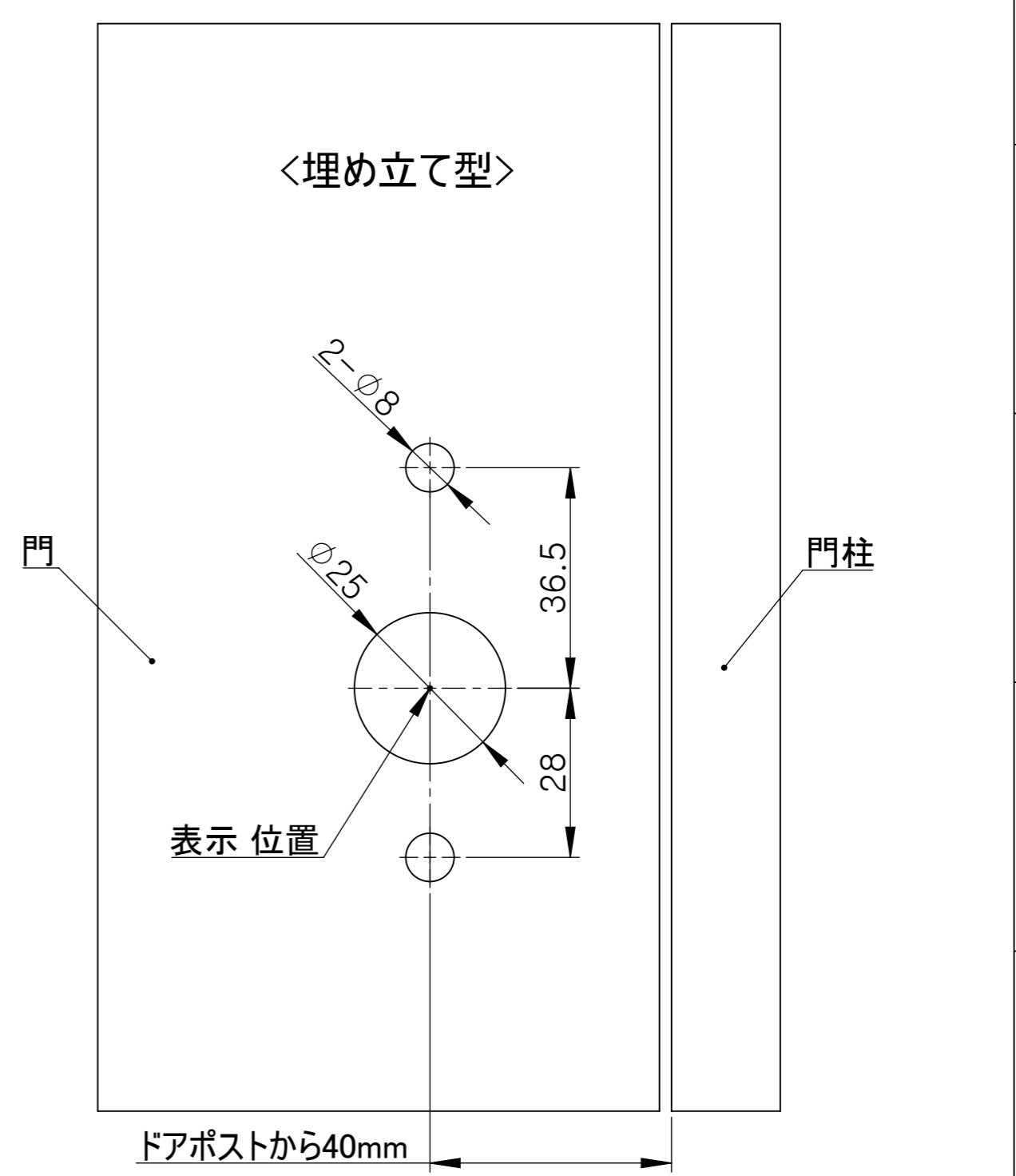
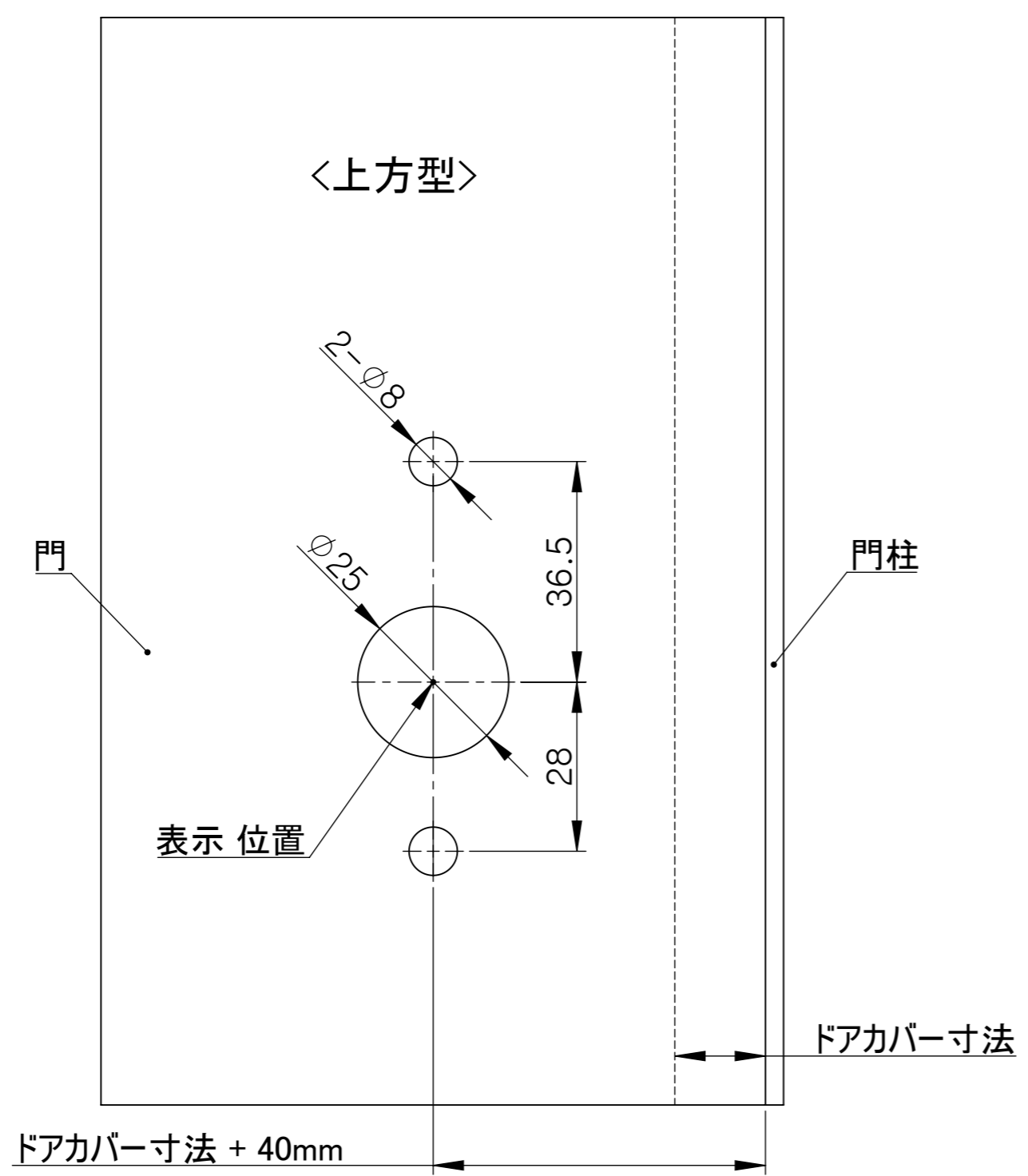


\*注意:ほとんどのロッカーはカバーの寸法が異なります

DIMENSION TOLERANCE	
DIMENSION	TOLERANCE
X	±0.1
X.X	±0.05
X.XX	±0.02
X.XXX	±0.005
ANGLE : ±0.1	

PART NAME	右門形穴あけ図面		MATERIAL	-		
MODEL NAME	LF21-PL		END FINISH	-		
DRAWN BY	CHECKED BY	APPROVED BY	SCALE	1:1	PART NO -	
G.P.HONG			UNIT	mm		
2022.04.12			PAGE	1 OF 3	SIZE	A3

REVISIONS				
ZON	SYM	DESCRIPTION	DATE	APPR
-	-	-	-	-



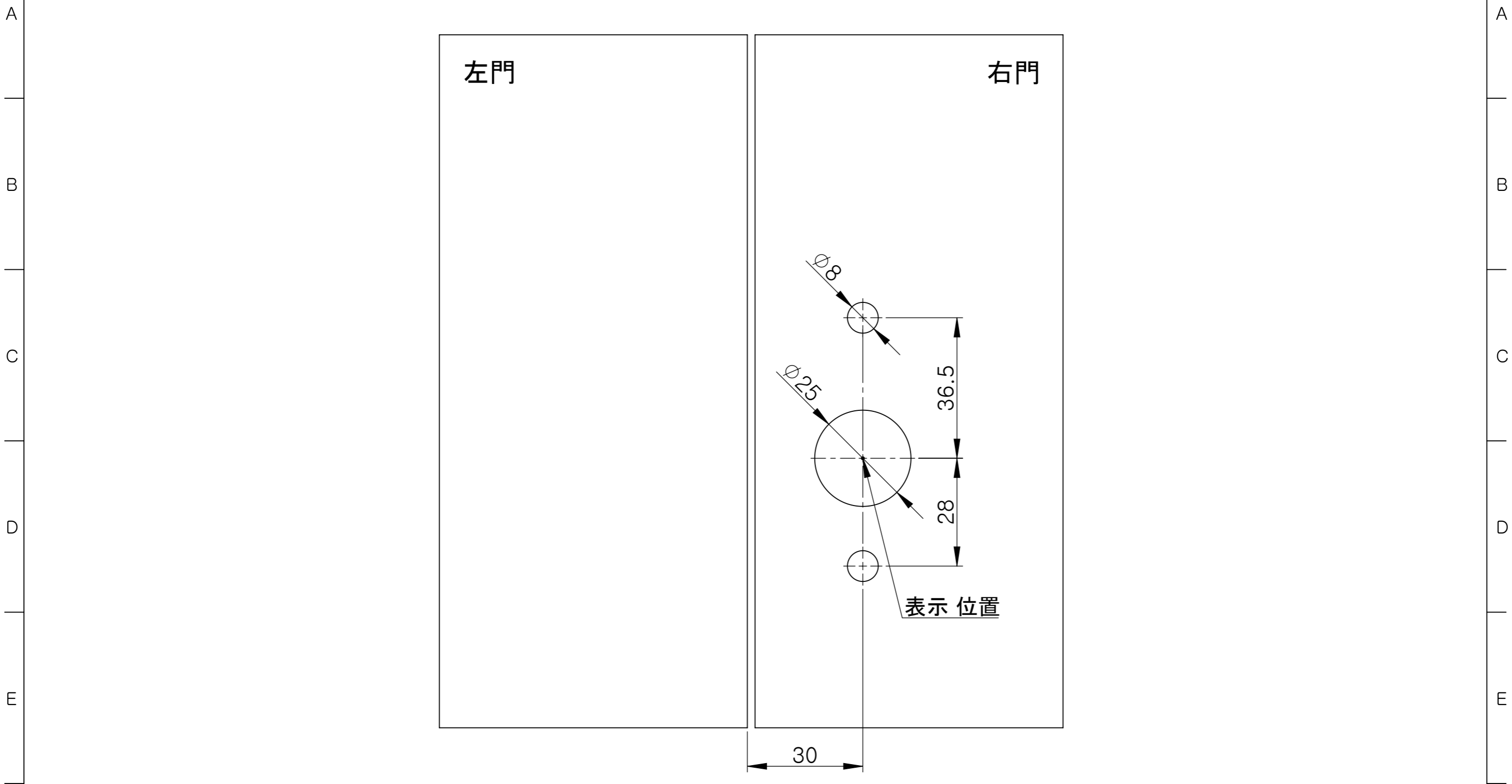
\*注意:ほとんどのロッカーはカバーの寸法が異なります

DIMENSION TOLERANCE	
DIMENSION	TOLERANCE
X	±0.1
X.X	±0.05
X.XX	±0.02
X.XXX	±0.005
ANGLE : ±0.1	

PART NAME	左門形穴あけ図面		MATERIAL	-		
MODEL NAME	LF21-PL		END FINISH	-		
DRAWN BY	CHECKED BY	APPROVED BY	SCALE	1:1	PART NO -	
G.P.HONG			UNIT	mm		
2022.04.12			PAGE	2 OF 3	SIZE	A3

1 2 3 4 5 6 7 8 9 10

REVISIONS				
ZON	SYM	DESCRIPTION	DATE	APPR
-	-	-	-	-



DIMENSION TOLERANCE	
DIMENSION	TOLERANCE
X	±0.1
X.X	±0.05
X.XX	±0.02
X.XXX	±0.005
ANGLE : ±0.1	

PART NAME	両開穴あけ図面		MATERIAL	-		
MODEL NAME	LF21-PL		END FINISH	-		
DRAWN BY	CHECKED BY	APPROVED BY	SCALE	1:1	PART NO -	
G.P.HONG			UNIT	mm		
2022.04.12			PAGE	3 OF 3	SIZE	A3

1 2 3 4 5 6 7 8 9 10